



## Dual Head Variable Angle General Purpose SPECT Scanner

### Accessibility, Reliability, Workflow and Innovation



#### Detectors:

- NaI (Tl) scintillation crystal (580×420×9.5 mm<sup>3</sup>)
- Square PMT (76×76 mm)
- Infrared-guided automatic contouring
- State of the art NM detector with square PMT technology

#### Patient Handling:

- Easy access to any patient size (up to 250 kg, 210 cm)
- Facilitating patient loading and unloading from wheelchair or stretcher
- The short tunnel length is ideal for claustrophobic patients

#### Software:

- Dedicated acquisition software
- State-of-the-art reconstruction
- Outstanding and consistent image quality

#### Gantry:

- Heavy-duty and reliable gantry robotics
- Dual detectors with variable angle and small dead zone
- Easy to install
- High precision positioning
- Adjustable bed height
- Wireless ECG gating system

#### Acquisition Console:

- Equipped with icon-driven hand controller
- Portable acquisition console



# Fast and reliable detector positioning for different clinical protocols

## Detector Specification

Intrinsic spatial resolution	
FWHM in UFOV	≤ 4.0 mm
FWTM in UFOV	≤ 8.1 mm
Intrinsic spatial linearity	
Absolute in UFOV	≤ 0.2 mm
Differential in UFOV	≤ 0.1 mm
Intrinsic energy resolution	
in UFOV	9.3 %
Intrinsic flood field uniformity	
Integral in UFOV	≤ 2.0 %
Differential in UFOV	≤ 1.0 %
System spatial resolution w/o scatter at 10 cm	
LEHR	≤ 7.6 mm
ECG Gating	
Mode	List-mode
Max. number of frames per R-R interval	32

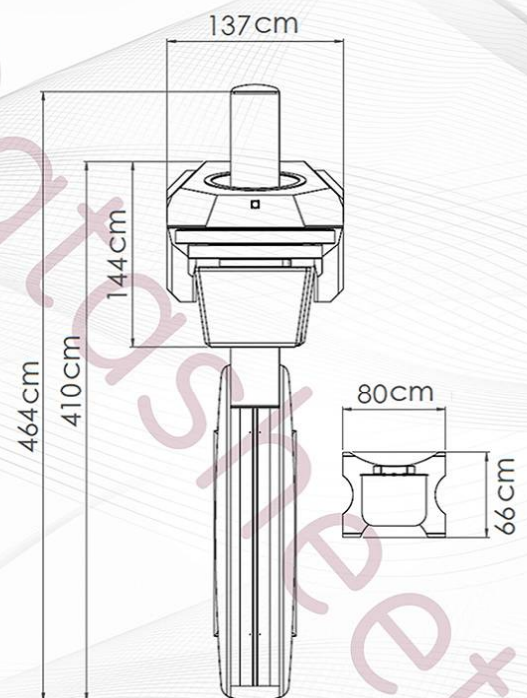
- Variety in patient size
- Supine and prone imaging
- Optional accessories include a head holder and arm support
- User-friendly acquisition station
- Easy-to-use hand controller
- Portable acquisition console
- Real-time automatic body contouring
- Using square PMT technology
- Minimal dead zone in detectors
- Predefined acquisition protocols
- List mode gated SPECT acquisition
- Wireless ECG gating system
- Motion artifact reduction
- Resolution recovery reconstruction

## Gantry Physical Specifications

Height	210 cm
Width	200 cm
Length	410 cm
Weight (with detectors and collimators)	2000 kg

## System Specifications

Filed of View (FOV)	55x40 cm <sup>2</sup>
Useful Filed of View (UFOV)	54x39 cm <sup>2</sup>
Detector relative positions	90° and 180°
Gantry rotation range	420°
Radius of Rotation (ROR)	19-35 cm
Range of up/down movement of bed	53-115 cm
Range of in/out movement of bed	220 cm
Maximum patient load capacity	Up to 250 kg
Patient contouring	Automatic



**Parto Negar Persia Co.**

Tel : +98 21 - 66 58 11 59 - 66 58 09 59  
 +98 21 - 40 66 03 58 - 40 66 03 59  
 Fax: +98 21 - 66 58 11 59

Pioneer in Healthcare Technology

[www.pnpmed.com](http://www.pnpmed.com) [info@pnpmed.com](mailto:info@pnpmed.com)

